

SP0000 Socket Pins for Sxnxxx Switches

TABLE OF CONTENTS

- General Description.....3**
- Specifications.....3**
- Drawings.....4**
- Notices.....5**
 - Copyright Notice.....5
 - Technical Notice.....5
 - Warranty Disclaimer.....5
- Ordering Information.....6**
- Change History.....6**

GENERAL DESCRIPTION

SP0000 socket pin receptacles allow for solderless mounting of Sxnnn switches from [E³].

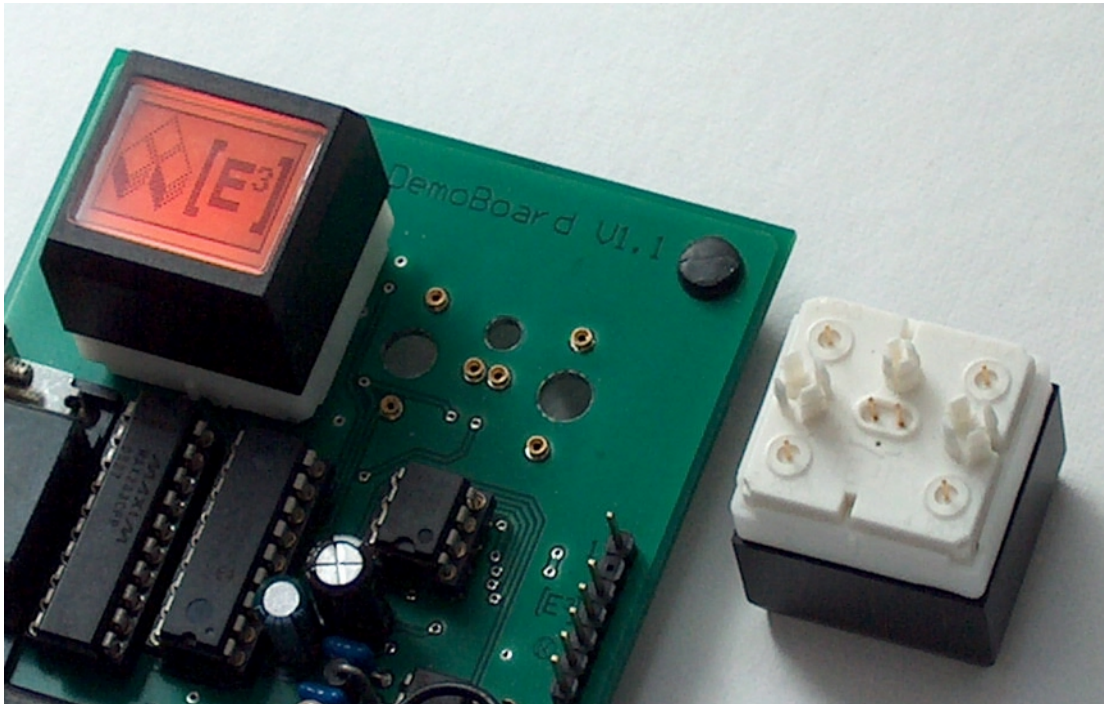


Image 1: Socket Pins on DemoBoard PCB

Installation of Sxnnn switches with or without socket pin receptacles will result in the same built-in height of the switches.

Switches are secured in the high precision sockets with spring tension. Additionally, the switches may be secured with the SL000 Socket Lock (available upon request).

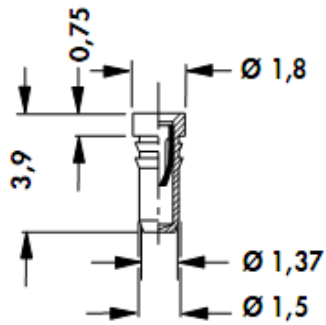
SPECIFICATIONS

High-precision contacts are available in bulk, pre-packaged bags of 240 sets of 6 (1440 units)

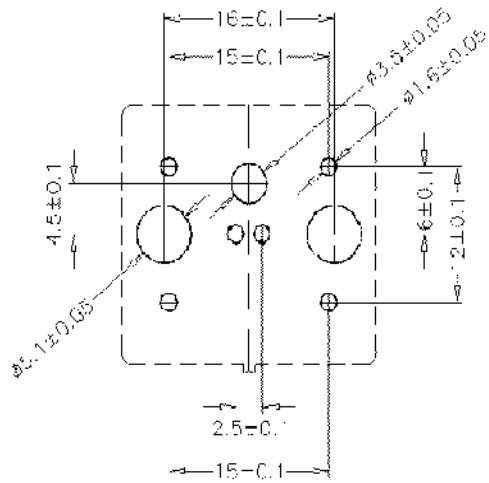
Surface finish: gold

NOTE: SP0000 Socket Pins need to be ordered in sets of six (6) matching the number of contacts per Sxnnn switch.

DRAWINGS



Socket Pin Dimensions



PCB Drill Mask for Socket Pin Mounting
of Sxnnn Switches

NOTICES

Copyright Notice

© 2008-2024 Copyright [E³] Engstler Elektronik Entwicklung GmbH. All rights reserved.

[E³], *The Third Evolution*[™] and *Legacy Mode*[™] are trademarks of [E³]. *The Keys to Intelligence*[™] is a trademark of I/O Universal Technologies, Inc. used with permission. All other trademarks are property of their respective owners.

No part of this publication may be copied, photocopied, reproduced, translated or reduced to any electronic medium or machine-readable form without the expressed written consent of [E³] Engstler Elektronik Entwicklung GmbH.

Technical Notice

This datasheet is intended for technically qualified personnel trained in the field of electronics.

The knowledge of electronics and the technically correct implementation of the content of this datasheet are required for problem free installation, implementation and safe operation of the described product. Only qualified personnel have the required know-how to implement the specifications given in this data sheet.

For clarity, not all details regarding the product or its implementation, installation, operation, or maintenance have been included. Should you require additional information or further assistance, please contact your local [E³] distributor or [E³] Engstler Elektronik Entwicklung GmbH at techsupport@e3-keys.com. You may also visit our website at www.e3-keys.com.

Warranty Disclaimer

[E³] ENGSTLER ELEKTRONIK ENTWICKLUNG GMBH grants no warranty with respect to this data sheet, neither explicit nor implied, and it is not liable for direct or indirect damages. Some states do not grant the exclusion of incidental or consequential damages and, therefore, this statement may not be valid in such cases.

This data sheet has been produced with all due care. However, since errors cannot be excluded, [E³] Engstler Elektronik Entwicklung GmbH does not grant any warranty or accept any legal responsibility or liability in any form for erroneous statements herein.

ORDERING INFORMATION

Part Number	Description
SP0000	individual socket pin (6 needed per switch)
SP0001	240 sets of 6 socket pins (1,440 individual pins)

CHANGE HISTORY

Version	Date	Comments
0.1	02/25/08	Draft Version
1.0	02/26/08	Release Version
1.1	02/28/08	Minor Revisions
2.0	08/08/18	Revised Document
2.1	10/25/19	Format Update
2.2	07/14/20	Updated Version
2.3	10/08/24	New Corporate Address

[E³] Engstler Elektronik Entwicklung GmbH
Auweg 27 • 63920 Grossheubach • Germany

WWW.E3-KEYS.COM